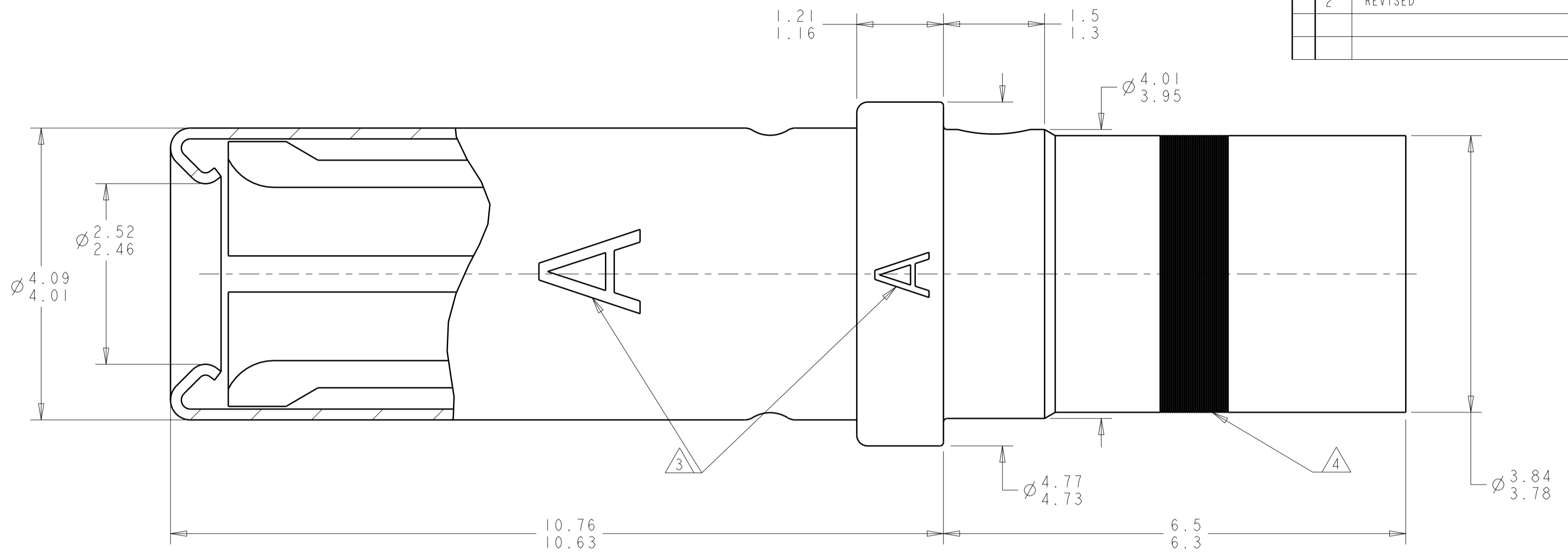
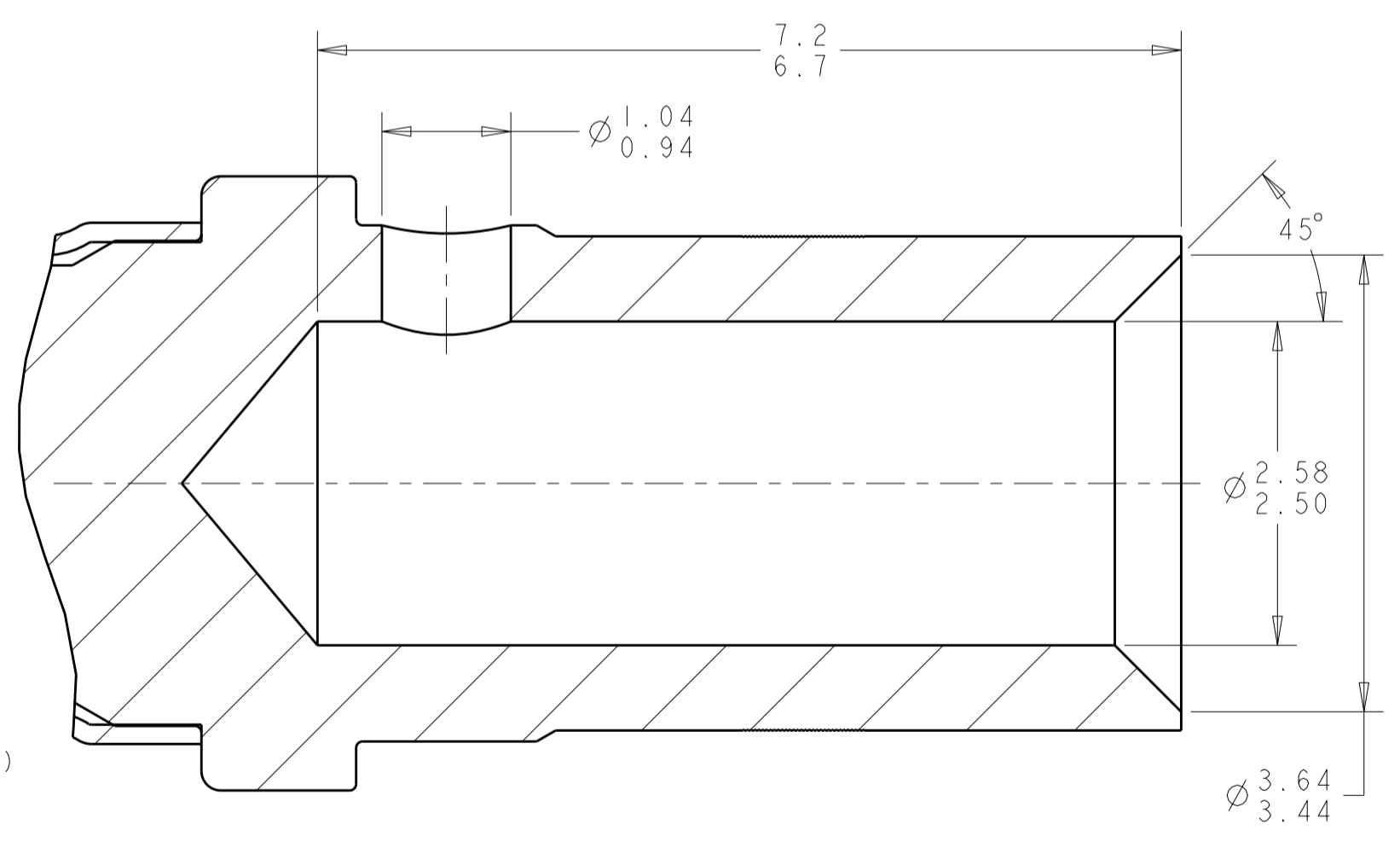


THIS DRAWING IS UNPUBLISHED. RELEASED FOR PUBLICATION 20
 © COPYRIGHT 20 BY TYCO ELECTRONICS CORPORATION. ALL RIGHTS RESERVED.

LOC	DIST	REVISIONS			
P	LTR	DESCRIPTION	DATE	DWN	APVD
DF	A5				
1		PROPOSED	28FEB2005	BW	JPM
2		REVISED	05AUG2010	BW	JM



- ① CONTACT: COPPER ALLOY PER ASTM B196.
SLEEVE: STAINLESS STEEL PER AISI 305.
- ② CONTACT: 1.27µm MIN GOLD PER ASTM B488 OVER OVER 2.54µm
MIN NICKEL PER QQ-N-290 ON ENTIRE STOCK.
SLEEVE: PASSIVATED.
- ③ TWO POSSIBLE LOCATIONS FOR THE LETTER "A" MARKING.
OPTIONAL ALTERNATE MARKING: LETTER "S"
- ④ YELLOW COLOR BAND.
- 5. APPLICABLE WIRE SIZE: 12-16 AWG
WIRE INSULATION DIAMETER: 3.4mm MAX
INSULATION STRIP LENGTH: 5.75mm-6.25mm
- 6. APPLICATION TOOLING:
CRIMPING TOOL: TYCO PART NUMBER 601967-1 (M22520/1-01)
POSITIONER: TYCO PART NUMBER 601967-2 (M22520/-02)
SELECTION POSITION: AWG 12 : 8
AWG 14 : 7
AWG 16 : 6
CONTACT INSERTION/EXTRACTION TOOL: 1738327-1 (M81969/28-02) OR 1-1192028-1 (M81969/14-04)
- 7. THIS PRODUCT IS SOLD BY TYCO ELECTRONICS UNDER A LICENSE FROM RADIALL SA.



THIS PRINT IS
PRELIMINARY
 UNQUALIFIED PRODUCT
 CONTACT PRODUCT ENGINEERING
 BEFORE USING THIS PRINT

1738018-1
 PART
 NUMBER

THIS DRAWING IS A CONTROLLED DOCUMENT FOR TYCO ELECTRONICS CORPORATION IT IS SUBJECT TO CHANGE AND THE CONTROLLING ENGINEERING ORGANIZATION SHOULD BE CONTACTED FOR THE LATEST REVISION.		DWN BW 28FEB2005	Tyco Electronics Harrisburg, PA 17105-3608	
DIMENSIONS: mm		CHK JPM 28FEB2005	NAME SOCKET CONTACT ASSEMBLY, SIZE 12, GPR	
TOLERANCES UNLESS OTHERWISE SPECIFIED: 0 PLC ± 1 PLC ± 2 PLC ± 3 PLC ± 4 PLC ± ANGLES ±30' FINISH		APVD JPM 28FEB2005	SIZE A200779	DRAWING NO C-1738018
MATERIAL		PRODUCT SPEC -	CAGE CODE 1738018	RESTRICTED TO -
①		APPLICATION SPEC -	SCALE 20:1	SHEET 1 OF 1
②		WEIGHT -	CUSTOMER DRAWING	REV 2