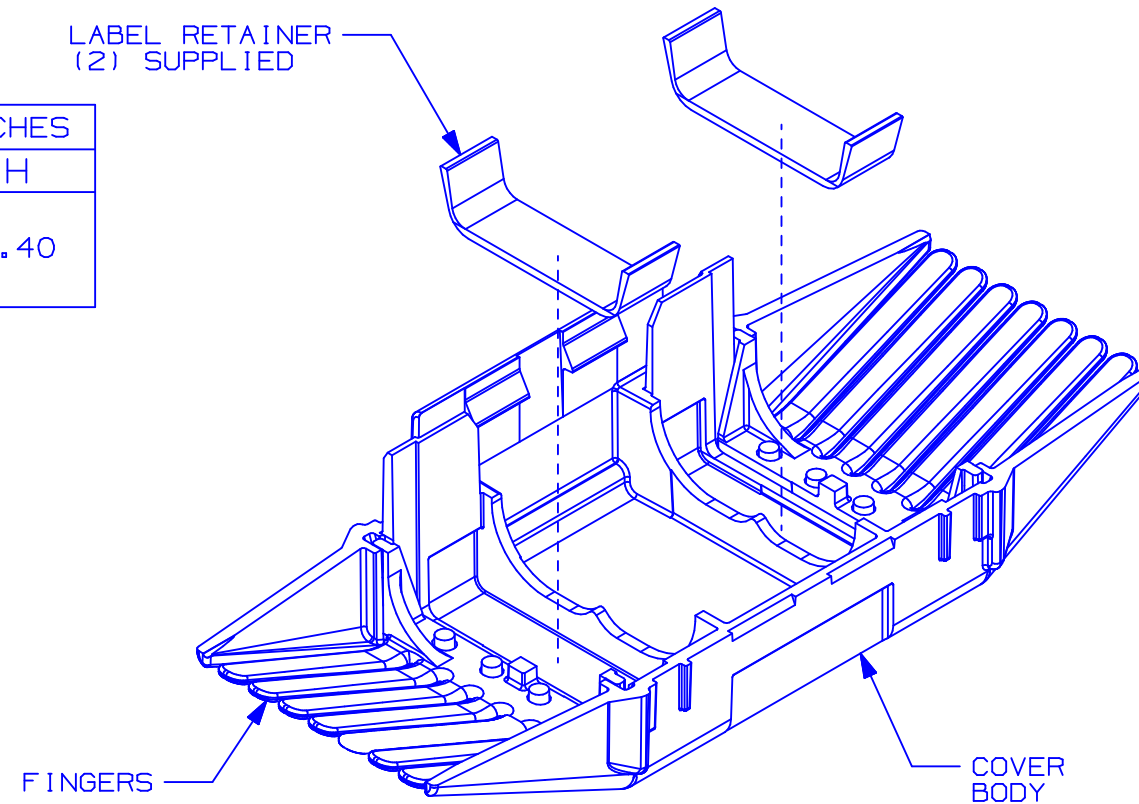


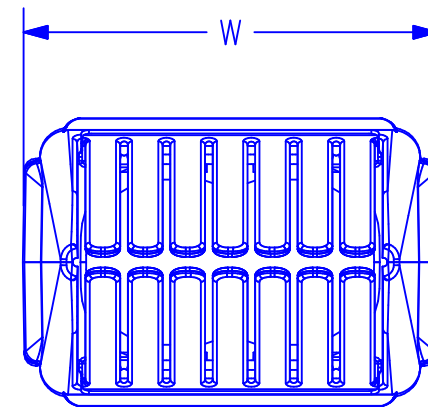
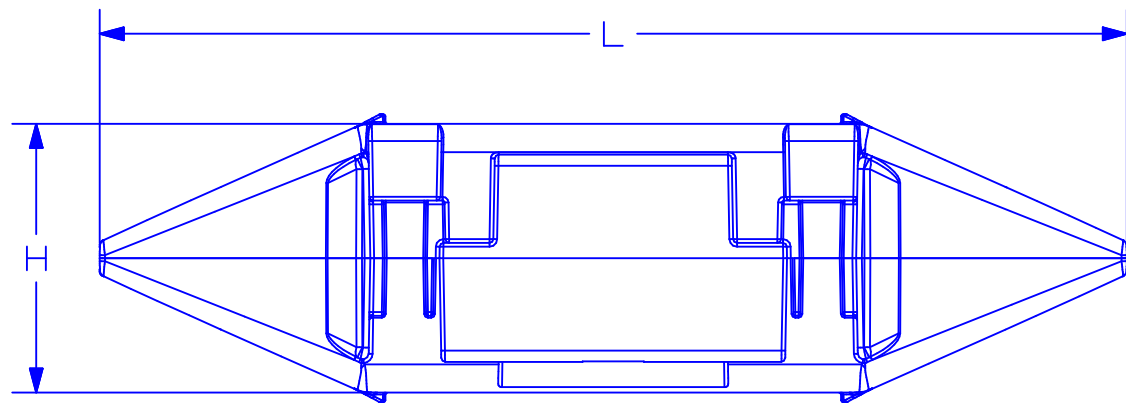
PART NUMBER	FOR PANDUIT H-TAPS	DIMENSIONS IN INCHES		
		L	W	H
CLRCVR3-1	HTCT250-8-1 HTCT250-2-1 HTCT250-250-1	5.35	2.16	1.40

LABEL RETAINER  
(2) SUPPLIED



NOTES:

- MATERIAL:  
CLEAR POLYCARBONATE COVER BODY WITH BLACK POLYPROPYLENE FINGERS.  
A) HIGH IMPACT STRENGTH  
B) U.V. RESISTANT  
C) FLAMMABILITY RATED (UL94 V-0)  
D) LIMITING OXYGEN INDEX (L.O.I.) = 28 MINIMUM.
- UL LISTED & CSA CERTIFIED:  
A) WHEN USED WITH SPECIFIED PANDUIT H-TAPS  
B) MAXIMUM TEMPERATURE RATING OF INSULATION MATERIAL: 90°C  
C) VOLTAGE RATING OF COVER: 600V. MAX.
- COVER PART NUMBER INCLUDES TWO (2) COVER HALVES, TWO (2) MATTED SURFACE SNAP IN LABEL RETAINERS, AND TWO (2) CABLE TIES TO SUPPLEMENT THE MOLDED-IN LATCHES.



TWO PIECE CONSTRUCTION WITH SNAP TOGETHER LATCHES



LISTED  
WIRE CONNECTOR



CERTIFIED

CAD FILENAME/LAYERS C41474\_00

PANDUIT CORP. TINLEY PARK, ILLINOIS

HTAP CLEAR COVER CLRCVR3  
CUSTOMER DRAWING

UNLESS OTHERWISE SPECIFIED,  
DIMENSIONAL TOLERANCES ARE:  
(.X) ± .05    (.XXX) ± .01  
(.XX) ± .06    ANGLES ± .5°

UNLESS OTHERWISE SPECIFIED,  
ALL DIMENSIONS ARE GIVEN  
IN INCHES, THIRD ANGLE PROJECTION.

DRAWN BY JHNU

MAT'L:

SCALE NONE

DATE 12/22/04

SEE NOTES

DRAWING NO.

C41474

DWG  
B  
SIZE

REV	DATE	BY	CHK	DESCRIPTION	ECN	PM	CUST
00	12/04	JHNU		DRAWING RELEASED			